

Pluggable Multi-Pole SPD

FLP7-XXX/3(S)

Class I • Class II • Type 1 • Type 2



Location of Use: Main Distribution Boards
 Network Systems: TN-C
 Mode of Protection: L-PEN
 Surge Ratings: $I_{imp} =$ up to 7 kA (10/350 μ s)
 $I_n =$ up to 20 kA (8/20 μ s)
 IEC/EN Category: Class I+II / Type 1+2
 Protective Elements: High Energy MOV
 Housing: Pluggable Design
 Compliance: IEC 61643-11:2011
 EN 61643-11:2012

Technical Data

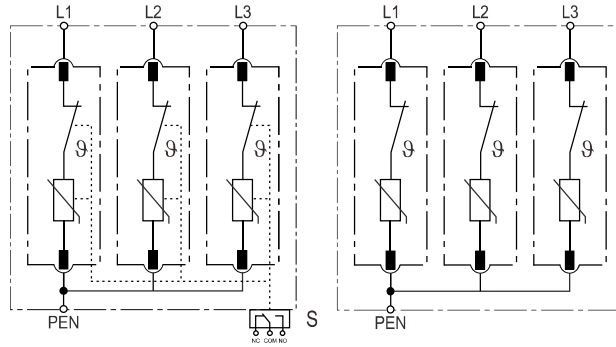
FLP7-XXX/3(S)		150	275	320	385	440
IEC Electrical						
Nominal AC Voltage (50/60Hz)	U_o/U_n	120 V	230 V	230 V	230 V	400 V
Maximum Continuous Operating Voltage (AC)	U_c	150 V	275 V	320 V	385 V	440 V
Nominal Discharge Current (8/20 μ s)	I_n	20 kA	20 kA	20 kA	20 kA	20 kA
Maximum Discharge Current (8/20 μ s)	I_{max}	50 kA	50 kA	50 kA	50 kA	50 kA
Impulse Discharge Current (10/350 μ s)	I_{imp}	7 kA	7 kA	7 kA	7 kA	7 kA
Specific Energy	W/R	12 kJ/ Ω	12 kJ/ Ω	12 kJ/ Ω	10 kJ/ Ω	10 kJ/ Ω
Charge	Q	3.5 As	3.5 As	3.5 As	2.5 As	2.5 As
Voltage Protection Level	U_p	1000 V	1500 V	1600 V	1800 V	2000 V
Response Time	t_A			< 25 ns		
Back-Up Fuse (max)				160 A gL / gG		
Short-Circuit Current Rating (AC)	I_{SCCR}			25 kA / 50 kA		
TOV Withstand 5s	U_T	180V	335V	335V	335V	580V
TOV 120min	U_T	230V	440V	440V	440V	765V
	mode	Safe Fail	Safe Fail	Safe Fail	Safe Fail	Safe Fail
Number of Ports				1		
Mechanical & Environmental						
Operating Temperature Range	T_a	-40 °F to +158 °F [-40 °C to +70 °C]				
Permissible Operating Humidity	RH	5%...95%				
Atmospheric pressure and altitude		80k Pa ... 106k Pa / -500 m ... 2000 m				
Terminal Screw Torque	M_{max}	39.9 lbf-in [4.5 Nm]				
Conductor Cross Section (max)		2 AWG (Solid, Stranded) / 4 AWG (Flexible) 35 mm ² (Solid, Stranded) / 25 mm ² (Flexible)				
Mounting		35 mm DIN Rail, EN 60715				
Degree of Protection		IP 20 (built-in)				
Housing Material		Thermoplastic: Extinguishing Degree UL 94 V-0				
Thermal Protection		Yes				
Operating State / Fault Indication		Green ok / Red defect				
Remote Contacts (RC)		Optional				
RC Switching Capacity		AC: 250V/0.5 A; DC: 250V/0.1 A; 125V/0.2 A; 75V/0.5 A				
RC Conductor Cross Section (max)		16 AWG (Solid) / 1.5 mm ² (Solid)				
Order Information						
Order Code		150	275	320	385	440
FLP7-XXX/3		0715031	0727531	0732031	0738531	0744031
FLP7-XXX/3S (with remote contacts)		0715032	0727532	0732032	0738532	0744032
FLP7-XXX/0 (spare modules)		0715001	0727501	0732001	0738501	0744001

FLP7-XXX/3(S)

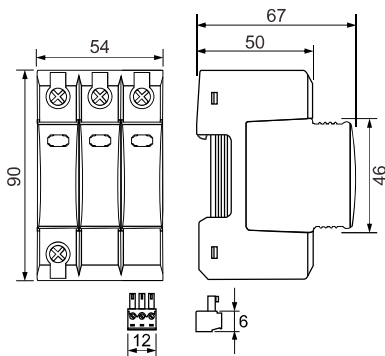
Internal Configuration

Legend

- L Line
- N Neutral
- PE Protective Earth
- S Signalling Contacts Optional



Dimensions & Packaging

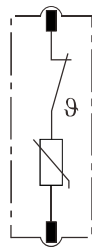


Dimensions & Packaging

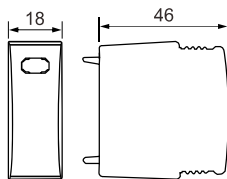
FLP7-XXX/3(S)	150	275	320	385	440
Single Unit DIN 43880 Dimension	1 CTN				
Packaging Dimensions (HxWxL)	[270 × 230 × 330 mm]				
Minimum Order Quantity	30 Units				

Plug Internal Configuration

FLP7-XXX/0



Dimensions & Packaging



Dimensions & Packaging

FLP7-XXX/0	150	275	320	385	440
Single Unit DIN 43880 Dimension	1 CTN				
Packaging Dimensions (HxWxL)	[270 × 230 × 330 mm]				
Minimum Order Quantity	96 Units				

Connection Diagram

TN-C (Three-phase, 3+0)

