

IP20



LK-80A

80A IEC 60947-7-1 85 Amp

Modular: keeping only one input, the blocks can be connected in parallel using a jumper wire. Easily double or triple the neutral.

LK-125A

125A IEC 60947-7-1 150 Amp

Modular: keeping only one input, the blocks can be connected in parallel using a jumper wire. Easily double or triple the neutral.

Characteristic

- Space saving: compact
- Tinned copper block: high conductivity
- IP 20 protection/UL finger-safe: improved safety
- Cable fixing screw diameters >95% fill ratio: excellent electrical contact, safe connections
- Visual inspection of wire: confirmation of connection
- Hinged or removable cover: easy wiring
- Clip-on DIN rail or mount to panel with screws: easy fixing

Metric system

	mm ²			I(N.m)	mm ²			I(N.m)
	10...35	x1		8.5	10...35	x1		8.5
	6...16**	x1		3.5	6...16**	x1		3.5
	2,5...16	x6 x4		3.5	2,5...16	x6 x4		3.5

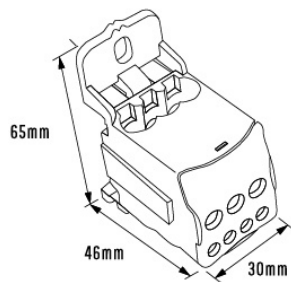
** Or common jumper wire.

U.S. Regulations

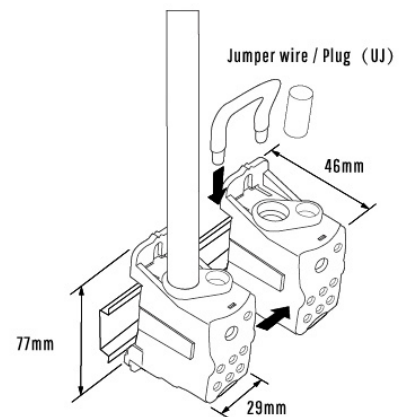
	AWG			Torque	AWG			Torque
	8...1/0	x1		57	8...1/0	x1		57
	14...4	x1		31	14...4	x1		31
	14...4	x6		31	14...4	x6		31

Installation diagram

Installation Hole: 54mm



Installation Hole: 64mm



- I=80 A IEC
- I=85 A UL/CSA
- Icw KA rms Is: 3
- IPk KA: 22
- Ui: 690V IEC
- Vin: 600 V UL

- I=125 A IEC
- I=150 A UL/CSA
- Icw KA rms Is: 4.2
- IPk KA: 30
- Ui: 690V IEC
- Vin: 600 V UL

Accessories

