

IP20



## LK-160A

160A IEC 60947-7-1      200 Amp

Modular: keeping only one input, the blocks can be connected in parallel using a jumper wire. Easily double or triple the neutral.

## LK-250A

250A IEC 60947-7-1      255 Amp

Modular: allows versatile building of power blocks single pole, two pole, three pole or four pole.

### Characteristic

- Space saving: compact
- Tinned copper block: high conductivity
- IP 20 protection/UL finger-safe: improved safety
- Cable fixing screw diameters >95% fill ratio: excellent electrical contact, safe connections
- Visual inspection of wire: confirmation of connection
- Hinged or removable cover: easy wiring
- Clip-on DIN rail or mount to panel with screws: easy fixing

### Metric system

	mm <sup>2</sup>			I(N.m)	mm <sup>2</sup>			I(N.m)
	10...35	x1		8.5	10...35	x1		8.5
	6...16**	x1		3.5	6...16**	x1		3.5
	2,5...16	x6 x4		3.5	2,5...16	x6 x4		3.5

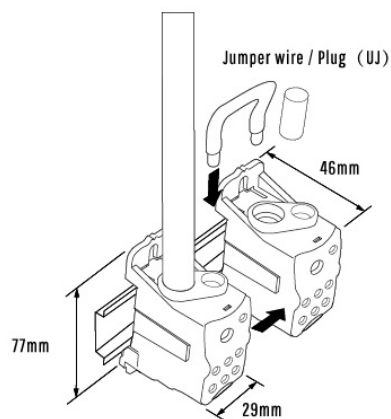
\*\* Or common jumper wire.

### U.S. Regulations

	AWG			Torque	AWG			Torque
	8...1/0	x1		57	8...1/0	x1		57
	14...4	x1		31	14...4	x1		31
	14...4	x6		31	14...4	x6		31

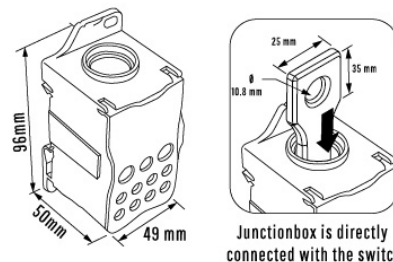
### Installation diagram

Installation Hole: 64mm



Installation Hole: 85×29mm

Flexible with TF 250A busbar connection with the TH.



Junctionbox is directly connected with the switch

- I=160 A IEC
- I=200 A UL/CSA
- Icw KA rms Is: 11.8
- IPk KA: 30
- Ui: 690V IEC
- Vin: 600 V UL

- I=250 A IEC
- I=255 A UL/CSA
- Icw KA rms Is: 24.5
- IPk KA: 51
- Ui: 690V IEC
- Vin: 600 V UL

### Accessories

