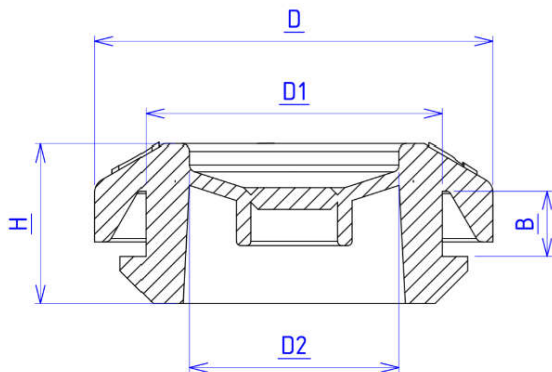


HSS Grommets



Code	D (mm)	D1 (mm)	D2 (mm)	H (mm)	B (mm)	Weight (kg)
HSS-PG16-7035	32.5	23	10-14	11	1.0-4.5	0.003
HSS-M9-7035	18	9	2-7	9	1.0-3.5	0.001
HSS-M12-7035	22	12	3-5	11	1.5-4.5	0,002
HSS-M16-7035	23.5	16	5-10	11	1.5-4.5	0.003
HSS-M20-7035	27.5	20	7-12	11	1.5-4.5	0.004
HSS-M25-7035	32.5	25	8-15	11	1.5-4.5	0.005
HSS-M32-7035	44	32	14-20	15	1.5-4.5	0.01
HSS-M40-7035	53	40	20-28	15	1.5-4.5	0.014
HSS-M50-7035	65	50	27-35	21	1.5-5.5	0.024
HSS-M60-7035	79	60	24-45	21	1.5-5.5	0.036
HSS-M80-7035	100	80	40-60	21	1.5-5.5	0.064
HSS-M100-7035	122	100	52-90	21	1.5-6.0	0.098
HSS-M120-7035	142	120	70-100	26	1.5-6.0	0.128

Operating temperature	-40°C - +100°C
IP class	IP 67
Color	Grey RAL 7035